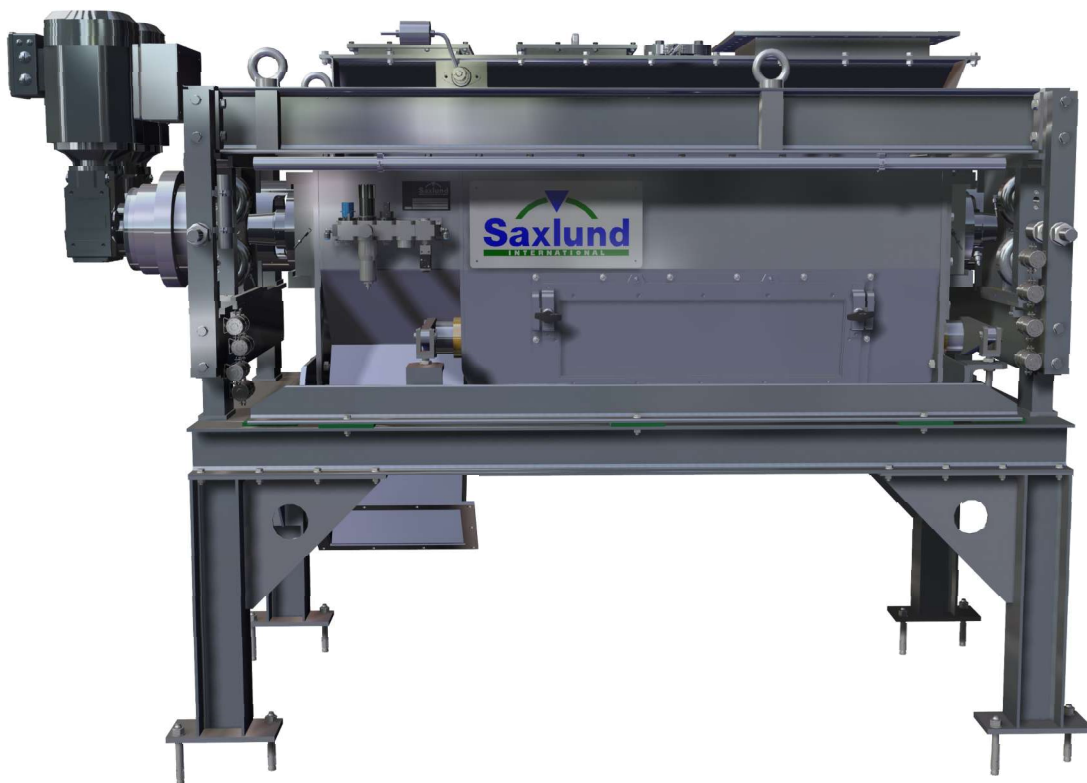


Coarse Material Separator

Optimal Protection Of Your System



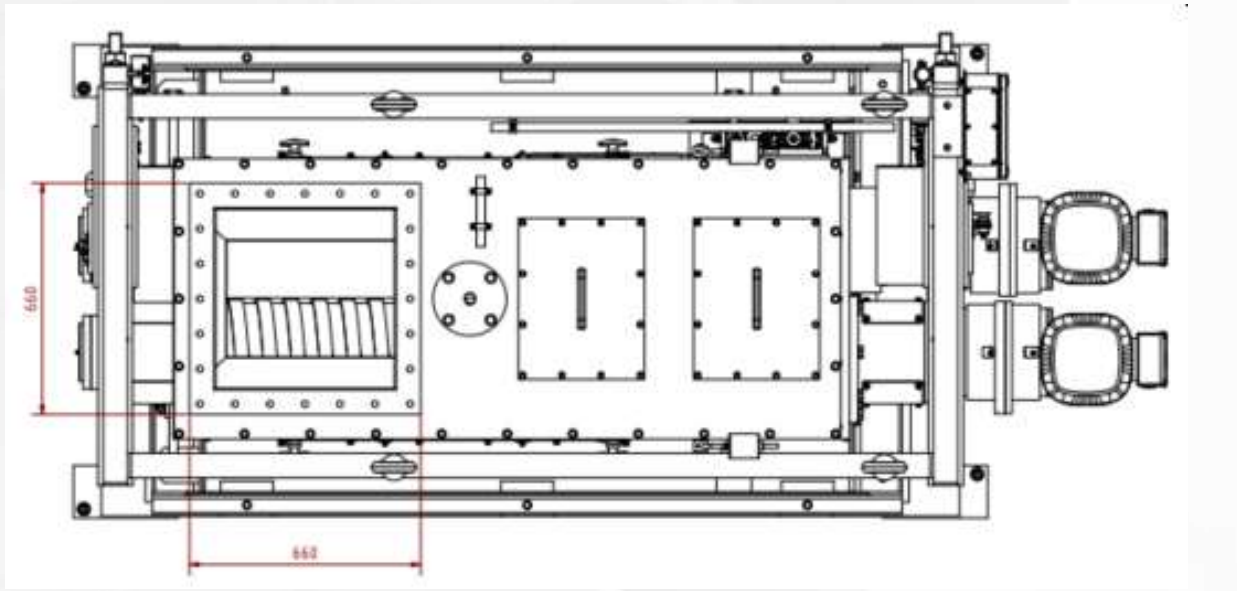
The Saxlund coarse material separator protects your system by removing any unwanted objects from the infeed material. By separating out the contaminants that are too large for further processing, there is less damage done to your plant machinery and a higher prevention of failures further downstream.

A plant shutdown caused by jammed material can quickly become expensive, especially if the foreign objects damage the system components. The Saxlund coarse material separator ensures only suitable material is passed through your system processes.

The Coarse Material Seperator

Technical Data	WSA-1400
Medium	Sludge with foreign objects TS 15 - 50 % Density 850 - 1100 kg/m ³
Throughput Capacity	Up to 25 m ³ /h
Roller	Wear-resistant design according to the medium
Roller Design	Flat and grooved rollers
Rotary Speed	n = 300 min ⁻¹
Power	2 x 9,5 kW
Gap Between Rollers	5 to 25 mm
Degree of Seperation	Depends on gap between rollers
Weight	~ 4500 kg
Foreign Object Outlet Opening	200 x 300 mm



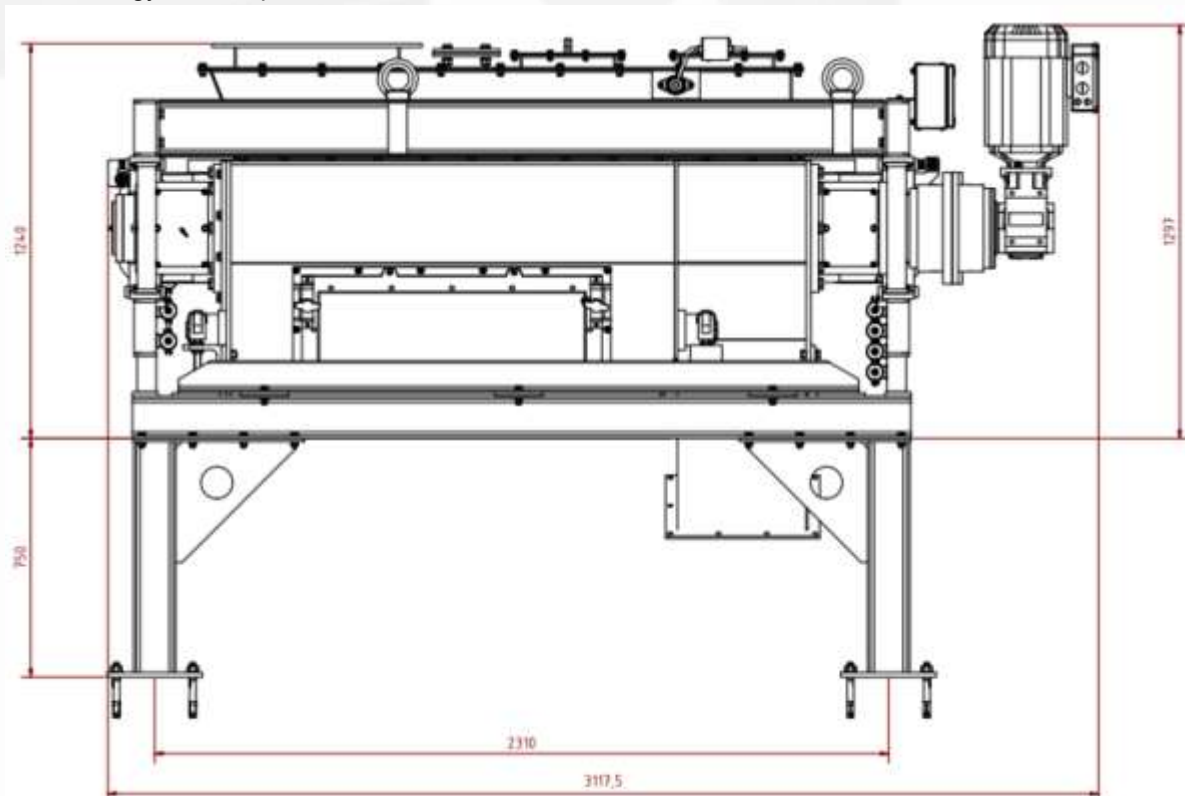


Working principle:

The foreign bodies are conveyed laterally by the grooved roller against a pendulum flap. The flap is opened by the pressure of the impurities and separates them through the ejection chute. Material that cannot be conveyed by the grooved roller passes through the gap. The flat roller is moved linearly together with the bearing, the displacement is detected and the system is switched off. The foreign body is removed by hand and the separator is restarted.

Advantages of the Saxlund foreign object separator:

- Solid construction - solid profile steel
- Reliable in continuous operation
- Dynamically balanced rollers for smoother running and less noise
- Low maintenance costs, hardened rollers for longer life
- Low energy consumption





Address

Saxlund International GmbH
Heidberg 1, 4 + 5
29614 Soltau-Harber
Germany

Telefon

+49 (0)5191 9811-0

Internet

www.saxlund.de

E-mail

info@saxlund.de

Our Silo Discharge and Conveying
Technology Products:

- Saxlund sliding frame
- Saxlund push floor
- Saxlund hydraulic rotor
- Saxlund solids pumps
- Chain conveyors
- Transport screws
- Trailer docking station
- Bucket elevator
- Control systems